



Updated Information

Out of Sale: 15, 28, 35, 70, 75, 78, 80, 81, 94, 95, 100, 101, 105, 117, 120, 123, 129, 134, 137, 145, 148, 164, 266&A, 270 & A, 282&A, 286, 298

Lot 7A - Birth Weight 101 lbs

Lot 11 - weighed 1960 lbs. and was 56 inches tall on November 12

Lot 73 - Selling Half Interest and full possession

Lot 142 - Selling Half Interest and full possession

Lot 249A - DDF

Lot 253A - Heifer calf sells unregistered

Lot 273A - Sired by Sitz Royal 9784

Lot 275A - Sired by SydGen Rock Star 3461

Lot 283A - DDF

Please check your State Animal Health Regulations - the following females do not carry a legible OCV tattoo: Lot 251, 254, 262, 264, 289, 297

The Deal (page 19)

The cows we would flush here at the buyer's option on December 6 & 7 are Lots 6, 7, 8, 226, 229, 230, 231, 234, 237, 256 & 272. See page 19 for details.

Current EPDs on the entire sale offering, as of November 16, as well as all Genomic Scores are posted outside the office.

Genomic profile results on the following lots were received after the catalog was produced and therefore were not factored into the EPDs printed in the catalog: 7*, 73*, 74B, 114*, 171, 182*, 192*, 199*, 202*, 204, 216A, 224A, 224B*, 230, 232*, 237, 245, 258*, 284, 286A*, 298A, 327*, 359*, 365*, 368A, and 368B. An asterisk (*) by the lot denotes those who changed appreciably.

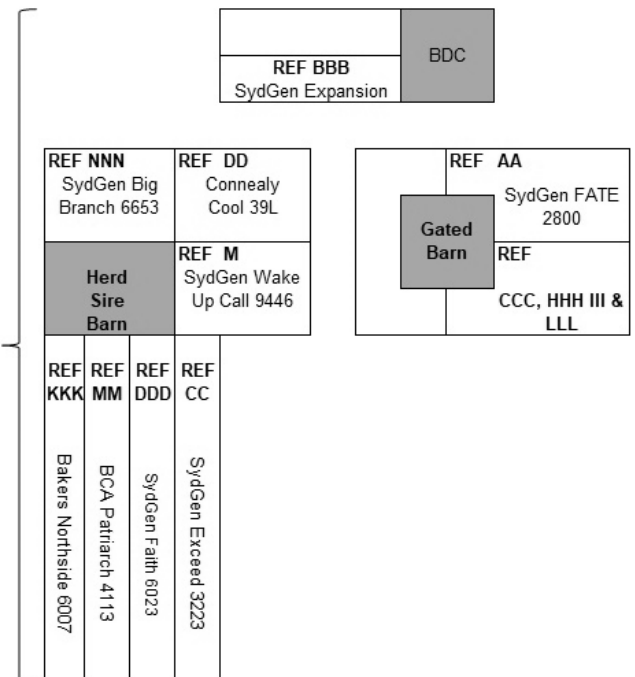
Additionally, the following fall calves have been genomic tested: 6A, 8A, 226A, 229A, 234A, 237A, 243A, 249A, 250A, 257A, 260A, 261A, 272A, 275A, 283A

Updated Fall Calf Information				
Lot	Birthdate	Sex	Weight	Sire
227A	10/25/18	B	81	SydGen Rock Star 3461
232A	11/3/18	B	104	Sitz Royal 9784
235A	10/17/18	B	77	SydGen Rock Star 3461
246A	9/29/18	C	68	HPCA Early Bird 65
249A	10/6/18	B	57	SydGen Supreme
262A	10/26/18	B	80	SydGen Denver 5096
269A	10/30/18	B	110	SydGen Denver 5096
274A	10/5/18	C	71	SydGen Expansion 5917
280A	11/4/18	B	98	BCA Jeremiah 5103
281A*	10/21/18	C	72	BCA Jeremiah 5103

*Born twin with heifer

Pen Map for Sale Lots on back

Pen Map for Herd Bulls below



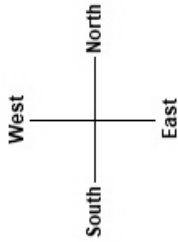
SydGen II Primo 8403

Birth Date: 04/04/2018 **Steer** +19243603 **Tattoo:** 8403

Dameron First Class
Colburn Primo 5153
+*18217480 Silveiras Saras Dream 1339

PVF Insight 0129
EXAR Princess 4715
+*17740187 EXAR Princess 0424

EXG RS First Rate S903 R3
Dameron Northern Miss 3114
Silveiras Style 9303
EXG Saras Dream S609 R3
S A V Brilliance 8077
PVF Missie 790
S A V Bismarck 5682
Exar Princess 2196



Pen 34	Pen 33	Pen 32	Pen 31	Pen 30	Pen 17	Pen 15	Pen 14	Pen 12	Pen 23	Pen 22	Pen 21															
											10D	6	9	9A	4	181 & A	6B									
118 138 119 139 121 140 122 141 124 142 125 143 126 144 127 146 128 147 130 149 131 150 132 151 133 152 135 153 136	67 92 68 93 71 96 72 97 73 98 74A 99 74B 102 74C 103A 76 103B 77 104 79 106 82 107 83 108 84 109 85 110 86 111 87 112 88 113 89 114 90 115 91 116	327 328 329 330 331 332 333 334 335 336 337 338 339 340 341 342 343 344	166A 218A 166B 218B 186B 219A 189 219B 193 220A 194 220B 196 221A 197 221B 206 221C 210 222A 212 222B 214 223A 211 223B 215A 223C 215B 223D 216A 224A 216B 224B 217A 225A 217B 225B	254 & A 255 & A 257 & A 258 & A 259 & A 260 & A 261 & A 262 & A 263 & A 264 & A 265 & A 267 & A 268 & A 269 & A 271 & A 273 & A 274 & A 275 & A 276 & A 277 & A 278 & A 279 & A 280 & A 281 & A 283 & A	sorting pen Pen 8 298A 358 346 359 347 360 348 361 349 362 350 363 351 364 352 365 353 366 354 367A 355 367B 356 368A 357 368B steers 369 370X	Pen 7 238 & A 239 & A 240 & A 241 & A 242 & A 243 & A 244 & A 245 & A 246 & A 247 & A 248 & A 249 & A 250 & A 251 & A 252 & A 253 & A	171 184A 172 184B 173 192 182 203 204	175 187 177 188 178 190 183 207 199	154 160 155 161 156 162 157 163 159 165	167 180 174 195 176 205 179 209	168 198 170 200 186A 201 191 208	10D 345	6 181 & A 6B	9 9A	4	181 & A	6B	Pen 21								
					Pen 13	Pen 15	Pen 13	Pen 13	Pen 6	Pen 5	Pen 4	Pen 3	Pen 2	Pen 1							Sale Barn					Office
				299	226 & A	11 bull	9C	50	284 284A	226 & A	226 & A	11 bull	9C	50	9B 26											
				300	227 & A	311	9D	51	285 285A	227 & A	227 & A	311	9D	51	10B 27											
				301	228 & A	312	10A	52	286A	228 & A	228 & A	312	10A	52	10C 31A											
				302	229 & A	313	13C	54	287 287A	229 & A	229 & A	313	13C	54	12A 31B											
				303	230 & A	314	16	55	288 288A	230 & A	230 & A	314	16	55	12B 32											
				304	231 & A	315	21	56	289 289A	231 & A	231 & A	315	21	56	13A 33											
				305	232 & A	316	22	57	290 290A	232 & A	232 & A	316	22	57	13B 34											
				306	233 & A	317	29	58	291 291A	233 & A	233 & A	317	29	58	14 39											
				307	234 & A	318	30	59	292 292A	234 & A	234 & A	318	30	59	17 40											
				308	235 & A	319	36	60	293	235 & A	235 & A	319	36	60	18 41											
				309	236 & A	320	37	61	294 294A	236 & A	236 & A	320	37	61	19 42											
				310	237 & A	321	38	62	295 295A	237 & A	237 & A	321	38	62	20 43											
					256 & A	322	45	63	296 296A	256 & A	256 & A	322	45	63	23 44											
					272 & A	323	48	64	297 297A	272 & A	272 & A	323	48	64	24 46											
						324	49	65				324	49	65	25 47											
						325		66				325		66												
						326						326														

2018 SydGen Sale Order

Pen	Lot	Pen	Lot	Pen	Lot	Pen	Lot	Pen	Lot	Pen	Lot
barn	6 &A	3	318	33	96	1	42	7	239 &A	31	166 A
barn	6 B	3	319	33	98	1	43	7	240 &A	31	166 B
barn	3	3	320	33	99	1	44	7	241 &A	31	186 B
barn	4	3	321	33	102	1	46	7	242 &A	31	189
barn	8 &A	3	322	33	103 A	1	47	7	243 &A	31	193
barn	345	3	323	33	103 B	1	53	7	244 &A	31	194
barn	1 flush	3	324	33	104	2	9 C	7	245 &A	31	196
barn	2 1/2	3	325	33	106	2	9 D	7	246 &A	31	197
barn	158	3	326	33	107	2	10 A	7	247 &A	31	206
barn	181	15	175	33	108	2	13 C	7	248 &A	31	210
12	154	15	177	33	109	2	16	7	249 &A	31	211
12	155	15	178	33	110	2	21	7	250 &A	31	212
12	156	15	183	33	111	2	22	7	251 &A	31	214
12	157	15	187	33	112	2	29	7	252 &A	31	215 A
12	159	15	188	33	113	2	30	7	253 &A	31	215 B
12	160	15	190	33	114	2	36	32	327	31	216 A
12	161	15	207	33	115	2	37	32	328	31	216 B
12	162	17	171	33	116	2	38	32	329	31	217 A
12	163	17	172	34	121	2	45	32	330	31	217 B
12	165	17	173	34	122	2	48	32	331	31	218 A
13	169	17	182	34	124	2	49	32	332	31	218 B
13	185	17	184 A	34	125	2	50	32	333	31	219 A
13	199	17	184 B	34	126	2	51	32	334	31	219 B
13	202	17	192	34	127	2	52	32	335	31	220 A
13	213	17	203	34	128	2	54	32	336	31	220 B
barn	5	17	204	34	130	2	55	32	337	31	221 A
barn	5 A	14	168	34	131	2	56	32	338	31	221 B
barn	5 B	14	170	34	132	2	57	32	339	31	221 C
barn	9 choice	14	186 A	34	133	2	58	32	340	31	222 A
barn	9 A	14	191	34	135	2	59	32	341	31	222 B
barn	10 D	14	198	34	136	2	60	32	342	31	223 A
barn	7 &A	14	200	34	138	2	61	32	343	31	223 B
barn	7 B	14	201	34	139	2	62	32	344	31	223 C
barn	7 C	14	208	34	140	2	63	30	254 &A	31	223 D
4	226 &A	Bull Sale		34	141	2	64	30	255 &A	31	224 A
4	227 &A	33	67	34	142	2	65	30	257 &A	31	224 B
4	228 &A	33	74 C	34	143	2	66	30	258 &A	31	225 A
4	229 &A	33	97	34	144	Females		30	259 &A	31	225 B
4	230 &A	3	11	34	146	6	290	30	260 &A	8	298 A
4	231 &A	1	14	34	147	6	290 A	30	261 &A	8	346
4	232 &A	1	23	34	149	6	291	30	262 &A	8	347
4	233 &A	1	24	34	150	6	291 A	30	263 &A	8	348
4	234 &A	1	31 A	34	151	6	292	30	264 &A	8	349
4	235 &A	34	118	34	152	6	292 A	30	265 &A	8	350
4	236 &A	34	119	34	153	6	293	30	267 &A	8	351
4	237 &A	33	68	1	9 B	6	294	30	268 &A	8	352
4	256 &A	33	71	1	10 B	6	294 A	30	269 &A	8	353
4	272 &A	33	72	1	10 C	6	295	30	271 &A	8	354
6	284	33	73	1	12 A	6	295 A	30	273 &A	8	355
6	284 A	33	74 A	1	12 B	6	296	30	274 &A	8	356
6	285	33	74 B	1	13 A	6	296 A	30	275 &A	8	357
6	285 A	33	76	1	13 B	6	297	30	276 &A	8	358
6	286 A	33	77	1	17	6	297 A	30	277 &A	8	359
6	287	33	79	1	18	5	299	30	278 &A	8	360
6	287 A	33	82	1	19	5	300	30	279 &A	8	361
6	288	33	83	1	20	5	301	30	280 &A	8	362
6	288 A	33	84	1	25	5	302	30	281 &A	8	363
6	289	33	85	1	26	5	303	30	283 &A	8	364
6	289 A	33	86	1	27	5	304	16	167	8	365
3	311	33	87	1	31 B	5	305	16	174	8	366
3	312	33	88	1	32	5	306	16	176	8	367 A
3	313	33	89	1	33	5	307	16	179	8	367 B
3	314	33	90	1	34	5	308	16	180	8	368 A
3	315	33	91	1	39	5	309	16	195	8	368 B
3	316	33	92	1	40	5	310	16	205	8	369
3	317	33	93	1	41	7	238 &A	16	209	8	370 X

Fall Bulls

Sale Day Measurements taken:
 Lots 67-117 November 11, 2018
 Lots 118-153 November 12, 2018

Lot	USND			USND			USND		Sale Day Weight	Sale Day Frame
	USND Adj PCT IMF	PCT IMF Ratio	USND Adj Ribeye	Ribeye Ratio	USND Adj Rib Fat	USND Rib Fat Ratio	USND Adj Rump Fat	Rump Ratio		
67	4.44	107	16.2	99	0.44	90	0.53	113	1490	6.4
68	4.94	119	15.7	96	0.38	78	0.43	91	1400	6.7
71	4.89	118	17.0	104	0.46	94	0.55	117	1400	6.2
72	3.25	78	14.7	90	0.36	73	0.40	85	1380	6.2
73	3.99	96	16.7	102	0.47	96	0.44	94	1350	5.8
74 A	4.27	101	16.8	101	0.36	72	0.46	102	1445	6.1
74 B	4.51	94	15.0	91	0.49	104	0.38	83	1240	5.7
74 C	5.06	106	17.5	107	0.54	115	0.45	98	1355	6.0
76	4.71	100	15.9	95	0.34	77	0.40	105	1505	6.7
77	3.93	94	16.1	99	0.48	98	0.37	79	1320	6.0
79	5.29	127	15.7	96	0.53	108	0.39	83	1425	6.3
82	3.76	90	16.0	98	0.44	90	0.53	113	1470	6.0
83	4.84	103	16.0	95	0.41	93	0.37	97	1365	6.0
84	3.82	92	17.2	106	0.52	106	0.57	121	1380	6.2
85	4.68	113	13.9	85	0.60	122	0.44	94	1375	5.9
86	5.95	124	16.3	99	0.54	115	0.47	102	1325	5.7
87	4.16	100	17.1	105	0.46	94	0.48	102	1460	6.5
88	3.30	69	16.6	101	0.40	85	0.50	109	1450	6.1
89	4.05	97	18.4	113	0.59	120	0.45	96	1425	6.7
90	4.18	100	15.9	98	0.46	94	0.46	98	1365	6.0
91	4.34	104	15.9	98	0.45	92	0.43	91	1345	6.0
92	4.09	100	15.2	100	0.40	100	0.42	100	1395	5.9
93	3.57	86	17.4	107	0.43	88	0.40	85	1425	7.1
96	4.29	103	15.2	93	0.46	94	0.44	94	1405	6.0
97	4.42	104	16.2	98	0.59	118	0.42	93	1410	6.4
98	3.43	82	17.4	107	0.44	90	0.38	81	1330	6.2
99	4.88	117	17.8	109	0.64	131	0.55	117	1350	6.7
102	4.44	105	17.9	108	0.44	88	0.37	82	1430	6.1
103 A	4.33	102	17.4	105	0.57	114	0.43	96	1395	5.4
103 B	3.75	88	14.9	90	0.55	110	0.59	131	1365	5.5
104	3.35	100	16.3	100	0.51	100	0.63	100	1355	5.5
106	4.55	109	16.4	101	0.48	98	0.55	117	1250	6.2
107	3.92	94	17.4	107	0.56	114	0.38	81	1325	5.5
108	3.92	94	15.4	94	0.35	71	0.35	74	1290	6.3
109	4.66	112	17.1	105	0.48	98	0.33	70	1290	6.4
110	4.39	102	16.3	100	0.42	82	0.49	89	1300	5.9

Fall Bulls

Sale Day Measurements taken:
 Lots 67-117 November 11, 2018
 Lots 118-153 November 12, 2018

Lot	USND			USND			USND		Sale Day Weight	Sale Day Frame
	USND Adj PCT IMF	PCT IMF Ratio	USND Adj Ribeye	Ribeye Ratio	USND Adj Rib Fat	USND Rib Fat Ratio	USND Adj Rump Fat	Rump Ratio		
111	5.37	125	15.0	92	0.76	149	0.66	120	1215	5.0
112	4.38	105	16.9	104	0.60	122	0.58	123	1425	5.9
113	3.81	92	16.7	102	0.42	86	0.45	96	1260	5.2
114	4.65	112	15.8	97	0.50	102	0.36	77	1225	5.2
115	3.69	89	16.9	104	0.67	137	0.48	102	1325	6.0
116	4.05	97	15.9	98	0.53	108	0.54	115	1230	5.8
118	4.87	112	16.5	104	0.31	86	0.42	95	1300	6.0
119	4.32	100	15.5	98	0.33	92	0.36	82	1445	6.4
121	3.27	75	14.8	94	0.33	92	0.35	80	1430	6.4
122	4.50	104	15.2	96	0.39	108	0.53	120	1300	5.4
124	5.41	113	17.6	107	0.34	85	0.41	100	1300	5.6
125	4.40	101	14.9	94	0.43	119	0.64	145	1335	6.5
126	4.52	104	16.2	103	0.50	139	0.45	102	1295	6.5
127	3.90	88	12.8	84	0.21	60	0.30	75	1290	5.9
128	4.29	99	16.4	104	0.39	108	0.57	130	1275	6.2
130	4.00	83	17.4	106	0.41	103	0.39	95	1360	6.2
131	3.60	83	12.1	77	0.24	67	0.31	70	1245	5.8
132	4.52	94	15.9	97	0.49	123	0.56	137	1320	6.0
133	3.90	90	17.3	109	0.33	92	0.38	86	1365	6.5
135	6.67	154	14.5	92	0.45	125	0.50	114	1255	5.9
136	4.28	97	16.4	107	0.40	114	0.36	90	1250	6.1
138	4.71	107	17.3	113	0.43	123	0.40	100	1410	6.3
139	3.60	83	14.6	92	0.16	44	0.29	66	1275	5.8
140	4.31	99	17.2	109	0.35	97	0.52	118	1275	5.0
141	4.72	109	15.0	95	0.37	103	0.32	73	1250	6.0
142	3.91	88	16.1	105	0.23	66	0.36	90	1510	6.5
143	4.56	105	15.2	96	0.32	89	0.41	93	1320	5.6
144	4.17	94	15.1	99	0.27	77	0.32	80	1180	5.5
146	3.93	89	16.4	107	0.43	123	0.46	115	1315	6.0
147	3.14	72	16.2	103	0.44	122	0.41	93	1180	6.0
149	5.28	110	14.8	90	0.34	85	0.28	68	1110	5.0
150	5.05	114	12.2	80	0.21	60	0.29	73	1155	5.3
151	5.14	118	15.6	99	0.45	125	0.60	136	1215	5.7
152	3.57	81	16.7	109	0.44	126	0.42	105	1230	5.9
153	4.01	91	15.4	101	0.38	109	0.38	95	1175	5.0

BULL CALVES

sale day measurements taken 11/14/18

Lot	Sale Day Weight	Post Weaning ADG	Projected YW	Sale Day Frame	Lot	Sale Day Weight	Post Weaning ADG	Projected YW	Sale Day Frame
9 B	1095	3.75	1333	6.3	39	1110	3.87	1345	5.7
9 C	1010	3.70	1277	5.6	40	1040	3.52	1285	6.2
9 D	1025	3.38	1256	6.0	41	1105	3.99	1449	6.1
10 A	1030	3.59	1326	5.6	42	1030	3.52	1353	5.9
10 B	1150	3.91	1423	5.9	43	1180	3.65	1435	6.1
10 C	1195	4.58	1491	5.9	44	1185	4.45	1483	7.3
12 A	1100	3.39	1302	5.7	45	1115	3.68	1409	5.3
12 B	1170	4.22	1428	6.3	46	1085	3.86	1369	5.8
13 A	1090	3.96	1341	5.8	47	1130	4.04	1446	6.8
13 B	1070	4.07	1381	5.5	48	980	3.80	1331	5.4
13 C	900	3.07	1106	4.8	49	1030	3.26	1287	5.9
14	1180	4.59	1561	6.0	50	1040	3.33	1252	5.6
16	1070	3.89	1299	5.4	51	990	4.20	1342	6.0
17	1060	3.89	1377	5.9	52	1020	3.89	1336	5.4
18	1105	4.01	1405	5.6	53	1095	3.88	1355	5.8
19	1125	3.97	1364	6.0	54	1025	3.58	1334	5.5
20	1095	4.21	1406	5.9	55	1025	3.60	1266	5.2
21	1040	3.15	1265	6.0	56	1010	3.72	1299	5.7
22	1055	3.29	1281	5.6	57	980	3.67	1276	5.3
23	1245	4.46	1572	6.5	58	1025	3.84	1324	5.7
24	1110	3.72	1382	6.0	59	940	2.89	1183	5.0
25	1090	3.04	1279	5.4	60	968	3.29	1232	5.0
26	1170	4.07	1459	6.0	61	990	3.43	1286	4.8
27	1165	3.99	1452	6.1	62	950	3.61	1239	4.8
29	1025	3.32	1243	5.8	63	970	3.11	1217	6.0
30	1055	3.47	1316	5.0	64	1025	4.51	1362	5.4
31 A	1220	3.83	1444	6.3	65	924	3.41	1216	5.0
31 B	1070	4.63	1367	5.7	66	858	3.70	1115	5.0
32	1155	3.64	1390	6.1					
33	1175	3.77	1386	6.0					
34	1080	4.22	1422	6.0					
36	1020	2.98	1260	5.5					
37	1050	3.26	1296	5.7					
38	1040	3.15	1263	6.0					

Fall Heifers

Sale Day Measurements taken November 13, 2018

Lot	USND			USND			USND			Sale Day Weight	Sale Day Frame
	USND Adj PCT IMF	PCT IMF Ratio	USND Adj Ribeye	Ribeye Ratio	USND Adj Rib Fat	USND Rib Fat Ratio	USND Adj Rump Fat	Rump Ratio			
2	4.58	96	13.8	105	0.47	131	0.47	109	1325	6.7	
3	5.63	107	12.4	100	0.41	124	0.40	95	1215	7.0	
5 B	4.70	89	13.3	107	0.34	103	0.41	98	1095	6.0	
6 B	6.76	121	15.2	117	0.43	102	0.52	106	1235	6.9	
7 B	5.21	109	11.4	86	0.47	131	0.49	114	1065	5.5	
7 C	4.38	92	11.5	87	0.33	92	0.59	137	1000	4.6	
154	5.66	90	12.3	98	0.35	90	0.39	85	1070	6.1	
155	4.25	79	15.6	126	0.36	100	0.40	95	1085	5.8	
156	6.81	109	13.0	104	0.35	90	0.37	80	1080	5.8	
157	6.22	116	13.3	107	0.43	119	0.46	110	1130	6.2	
158	7.01	126	13.6	105	0.51	121	0.51	104	1235	6.3	
159	4.66	100	13.1	100	0.31	100	0.37	100	1190	6.2	
160	4.38	83	11.6	94	0.25	76	0.44	105	1050	5.8	
161	6.82	129	13.7	110	0.47	142	0.47	112	1125	6.3	
162	4.80	77	13.0	104	0.44	113	0.53	115	1180	6.0	
163	4.89	91	12.7	102	0.58	161	0.54	129	1150	5.4	
165	5.33	96	13.5	104	0.25	60	0.40	82	1045	5.4	
166 A	4.89	93	13.4	108	0.38	115	0.50	119	1140	5.4	
166 B	4.90	93	10.1	81	0.29	88	0.42	100	1035	4.9	
167	4.42	100	12.8	100	0.30	100	0.37	100	1030	5.7	
168	5.69	102	11.2	86	0.52	124	0.52	106	1170	6.0	
169	5.69	106	12.3	99	0.33	92	0.31	74	1155	7.2	
170	5.89	94	12.1	97	0.32	82	0.36	78	1035	6.0	
171	4.97	93	12.0	97	0.42	117	0.46	110	1155	6.1	
172	4.70	88	14.6	118	0.32	89	0.33	79	1090	6.1	
173	8.40	156	11.5	93	0.51	142	0.75	179	1105	6.1	
174	3.85	72	11.7	94	0.37	103	0.47	112	1140	5.8	
175	4.86	91	11.2	90	0.31	86	0.43	102	1155	6.5	
176	4.61	86	11.5	93	0.31	86	0.49	117	1140	5.9	
177	5.05	91	12.8	98	0.34	81	0.46	94	1175	6.4	
178	3.80	68	12.9	99	0.42	100	0.45	92	1065	6.4	
179	8.69	100	12.7	100	0.35	100	0.42	100	1190	5.7	
180	6.17	115	11.5	93	0.37	103	0.48	114	1125	5.9	
181	7.26	135	12.6	102	0.41	114	0.44	105	1185	5.5	

Fall Heifers

Sale Day Measurements taken November 13, 2018

Lot	USND		USND			USND		Rump Ratio	Sale Day Weight	Sale Day Frame
	USND Adj PCT IMF	PCT IMF Ratio	USND Adj Ribeye	Ribeye Ratio	USND Adj Rib Fat	USND Rib Fat Ratio	USND Adj Rump Fat			
182	4.36	81	13.5	109	0.47	131	0.33	79	1165	6.2
183	4.29	90	12.2	92	0.33	92	0.38	88	1155	6.5
184 A	5.57	106	14.2	115	0.29	88	0.44	105	1125	6.1
184 B	5.81	122	14.8	112	0.36	100	0.41	95	1115	6.4
185	5.43	114	14.5	110	0.32	89	0.40	93	1160	7.1
186 A	4.80	101	12.5	95	0.38	106	0.41	95	1140	6.0
186 B	5.30	101	10.5	85	0.20	61	0.31	74	902	4.9
187	6.43	120	12.0	97	0.57	158	0.56	133	1235	6.5
188	6.10	114	13.4	108	0.35	97	0.44	105	1145	6.3
189	5.90	110	12.7	102	0.38	106	0.37	88	1035	5.2
190	6.32	113	12.7	98	0.53	126	0.63	129	1135	6.3
191	4.94	89	13.4	103	0.37	88	0.43	88	1060	6.0
192	3.68	69	11.0	89	0.27	75	0.43	102	1065	6.2
193	3.61	100	11.8	100	0.31	100	0.42	100	1080	5.6
194	7.24	115	10.4	83	0.49	126	0.70	152	1105	5.4
195	5.08	100	10.5	100	0.35	100	0.37	100	1025	5.7
196	5.09	81	13.4	107	0.41	105	0.57	124	1020	5.4
197	6.47	120	13.5	109	0.40	111	0.43	102	934	5.0
198	4.53	84	12.4	100	0.38	106	0.48	114	1095	5.9
199	3.56	66	14.4	116	0.34	94	0.34	81	1165	7.0
200	6.98	111	13.7	110	0.44	113	0.50	109	1035	5.9
201	5.98	95	11.6	93	0.43	110	0.57	124	1150	6.0
202	6.04	112	13.5	109	0.29	81	0.37	88	1120	7.1
203	5.86	109	11.9	96	0.65	181	0.69	164	1070	6.1
204	4.17	78	11.0	89	0.23	64	0.37	88	1075	6.0
205	5.67	106	13.0	105	0.38	106	0.45	107	1080	5.8
206	5.26	98	13.0	105	0.33	92	0.43	102	1020	5.0
207	6.40	119	14.0	113	0.28	78	0.40	95	1155	6.3
208	5.33	96	12.1	93	0.42	100	0.47	96	1080	5.9
209	6.30	117	14.6	118	0.41	114	0.54	129	1045	5.6
210	7.15	100	13.3	100	0.48	100	0.55	100	984	5.4
211	4.93	87	12.0	107	0.26	79	0.33	94	920	6.1
212	5.02	105	12.8	97	0.25	69	0.26	60	1015	5.1
213	3.45	72	13.0	98	0.30	83	0.42	98	1455	7.6

Fall Heifers

Sale Day Measurements taken November 13, 2018

Lot	USND		USND		USND			Rump Ratio	Sale Day Weight	Sale Day Frame
	USND Adj PCT IMF	PCT IMF Ratio	USND Adj Ribeye	Ribeye Ratio	USND Adj Rib Fat	USND Rib Fat Ratio	USND Adj Rump Fat			
214	4.56	100	12.7	100	0.23	100	0.37	100	910	5.4
215 A	4.27	80	13.2	106	0.38	106	0.44	105	1220	5.6
215 B	6.24	116	11.7	94	0.50	139	0.49	117	1090	5.5
216 A	6.97	111	12.2	98	0.41	105	0.38	83	1010	5.6
216 B	4.87	91	12.3	99	0.30	83	0.39	93	1040	6.3
217 A	5.48	102	13.1	106	0.36	100	0.41	98	1075	5.9
217 B	5.22	97	11.8	95	0.29	81	0.37	88	990	5.8
218 A	5.56	104	12.2	98	0.24	67	0.41	98	1080	6.0
218 B	4.79	89	12.8	103	0.33	92	0.30	71	1115	6.3
219 A	5.06	94	12.9	104	0.30	83	0.31	74	1140	6.8
219 B	5.87	109	11.7	94	0.30	83	0.34	81	940	5.2
220 A	7.03	131	10.4	84	0.43	119	0.52	124	1025	6.5
220 B	4.95	100	11.8	100	0.36	100	0.42	100	1040	5.6
221 A	4.27	80	11.5	93	0.31	86	0.41	98	916	5.1
221 B	5.72	107	10.2	82	0.24	67	0.33	79	974	5.0
221 C	5.79	108	11.3	91	0.36	100	0.42	100	932	4.9
222 A	6.09	97	12.7	102	0.34	87	0.35	76	946	4.8
222 B	6.05	100	12.7	100	0.27	100	0.33	100	922	5.2
223 A	4.36	81	11.9	96	0.32	89	0.41	98	1000	6.0
223 B	4.76	89	12.5	101	0.34	94	0.33	79	948	5.8
223 C	4.86	91	11.6	94	0.32	89	0.34	81	1010	5.8
223 D	5.03	94	12.9	104	0.44	122	0.48	114	960	6.0
224 A	7.48	119	12.9	103	0.35	90	0.34	74	1065	5.3
224 B	Too young to scan								890	5.7
225 A	5.67	106	7.1	57	0.08	22	0.14	33	978	5.7
225 B	5.37	100	14.0	113	0.38	106	0.39	93	928	4.8

Heifer Calves and Steers

sale day measurements taken 11/12/18

Lot	Sale Day Weight	Sale Day Frame	Lot	Sale Day Weight	Sale Day Frame	Lot	Sale Day Weight	Sale Day Frame
4	898	6.0	297 A	680	5.3	359	694	4.2
5 A	772	5.0	298 A	684	5.0	360	770	4.6
9 A	872	6.6	345	924	6.6	361	692	5.1
10 D	944	6.0	346	896	5.8	362	800	5.0
284 A	788	6.0	347	852	5.5	363	710	5.2
285 A	948	6.3	348	888	6.3	364	730	5.4
286 A	938	6.0	349	798	5.8	365	640	5.2
287 A	940	5.9	350	838	5.6	366	702	4.8
288 A	812	6.2	351	836	6.2	367 A	734	5.9
289 A	890	5.6	352	854	5.7	367 B	612	5.0
290 A	806	5.8	353	780	6.1	368 A	654	4.8
291 A	836	6.3	354	894	6.3	368 B	678	4.8
292 A	808	6.3	355	744	5.4			
294 A	864	5.9	356	782	4.5			
295 A	722	5.6	357	688	5.0	369	850	4.3
296 A	850	5.4	358	704	5.3	370 X	626	4.0